

NPG2-3000Ah

Valve-regulated lead-acid battery



DEEP CYCLE GEL SERIES

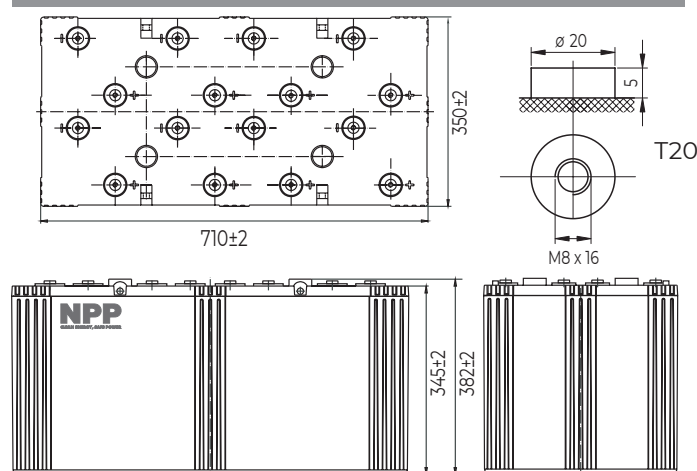
Characteristics

Nominal voltage	2V (4 cells per unit)	
Nominal capacity at 10 hours rate/1.8V (25°C)	3000Ah	
Capacity (25°C)	20 Hours rate/1.8V	3160Ah
	5 Hours rate/1.8V	2445Ah
Terminal type	T20	
Torque	12.3±2.5N.m	
Approx. internal resistance (25°C)	0.13 mΩ	
Dimensions	Length	710±2mm (27.95inch)
	Width	350±2mm (13.78inch)
	Height	345±2mm (13.58inch)
	Total height	382±2mm (15.04inch)
Design Life (stand-by)	JIS at 25°C	18 years
	Eurobat at 20°C	>12 years
Weight	188.00kg (414.46lbs)±3%	
Nominal operating temperature	25°C±3 (77±5°F)	
Operating temperature range	Discharge	-15°C~50°C (5°F~122°F)
	Charge	-10°C~50°C (14°F~122°F)
	Storage	-20°C~50°C (-4°F~122°F)
Float charging voltage at 25°C	2.25V~2.30V	
Cyclic charging voltage at 25°C	2.40V~2.45V	
Temperature compensation	Float charge	-3 mV/°C/cell
	Cycle charge	-5 mV/°C/cell
Max. charging current (A)	600A	
Max. discharge current for 5 seconds	15000A	
Self discharge rate (25°C)	≤3%/month	
Battery container ABS UL94-HB	V-0 optional	

Overview

NPP Power AGM GEL Series are manufactured following the highest demands in the deep cycle and renewable energy applications. The batteries use colloidal or foamed silica gel to immobilize the electrolyte, which further enhances the cycling stability. Available in top and front terminal types.

Dimensions & Terminal Type (mm)



Certification & Compliances



Compliant to: EUROBAT, RoHS, WEEE's and Reach.
Manufactured according to IEC 60896-21 / 22

Construction

Component	Positive Plate	Negative plate	Container	Separator	Electrolyte	Safety valve	Terminal
Raw material	Lead dioxide	Lead	ABS (V-0 opt.)	AGM	Sulfuric Acid Gel	Rubber	Copper

Constant current discharge characteristics at 25°C

(Ampere/battery)

F.V/Time	30min	60min	2h	3h	4h	5h	6h	8h	10h	20h	24h
1.60V/cell	2610	1800	1081	783	618	514	453	361	305	160	138
1.65V/cell	2558	1764	1075	779	614	511	453	359	305	160	137
1.70V/cell	2480	1710	1065	773	610	508	447	356	304	160	137
1.75V/cell	2419	1674	1049	768	606	504	444	354	302	159	136
1.80V/cell	2331	1620	1022	753	588	489	431	343	300	158	135

Constant power discharge characteristics at 25°C

(Watts/battery)

F.V/Time	30min	60min	2h	3h	4h	5h	6h	8h	10h	20h	24h
1.60V/cell	4881	3420	2086	1535	1212	1013	892	719	608	321	277
1.65V/cell	4783	3352	2074	1526	1204	1007	887	714	607	320	276
1.70V/cell	4637	3249	2055	1516	1196	1000	881	709	605	319	275
1.75V/cell	4524	3181	2025	1505	1188	993	875	704	601	317	274
1.80V/cell	4358	3078	1973	1475	1152	963	848	683	597	315	272

The above characteristics represent average values and can be obtained within three charge and discharge cycles. The batteries must be fully charged before testing. The data in this document is subject to change without notice and become contractual only after written confirmation. Please contact NPP Power for the latest available version.

NPP Power (Vietnam) Co., Ltd.

Lot A22.3, Road C4, Thanh Thanh Cong Industrial Zone,
An Hoa Ward, Trang Bang Town, Tay Ninh Province,
Vietnam

Guangzhou NPP Power Co., Ltd.

No.67 Lianglong Road, Huashan Town, Huadu District,
Guangzhou, China
Email: info@nppower.com.cn Tel. +86 20 37887 390